

Solid-State, Non-Contact Fluid Monitoring System

Superior reliability, in three configurations

SensaTank II™ is a compact version of our successful RV and Marine tank monitoring systems. It is complete with an LED-lighted Display Panel and available in configurations to monitor 2 or 3 plastic-walled fluid tanks.

SensaTank II provides digital certainty and simplicity because it is completely solid-state:

- NO mechanical parts to wear out.
- NO exposure to corrosive liquid.
- NO probes to get clogged or coated.
- NO effect from humidity or vibration.

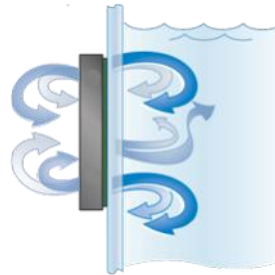
No tank intrusion, no moving parts

SensaLevel II Sensors adhere permanently to the exterior of a plastic tank and detect water-based fluids within. In addition to installation simplicity, this means:

- NO need to drill or pierce the tank
- NO leak paths to seal or maintain
- NO messy sealants to contend with
- NO loss of tank structural integrity



With no moving parts, how does it work?



SensaTank II uses TouchSensor's™ patented "Field-Effect" sensing technology at its core. "Field-Effect" sensors create low-power fields to detect the presence of water without ever making direct contact.

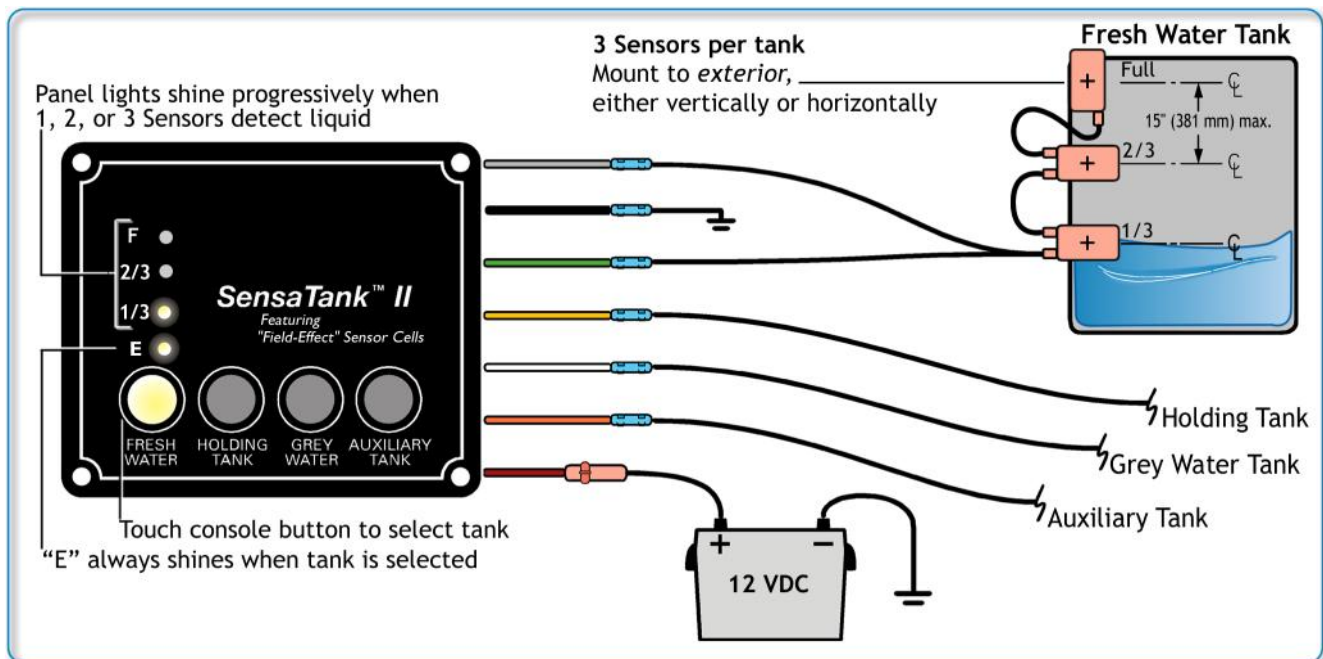
New application, established success

- "Field-Effect" sensors have been tested to 1.5 million cycles in fluid control applications, with nearly 200 million installed in user interface applications.
- LevelGuard™ products perform reliably under extreme conditions of temperature, humidity, UV, vibration, and salt water corrosion... making them a robust solution for challenging marine & RV environments.
- SensaTank II works equally well with OEM and DIY applications; industrial or farm liquids; bulk beverage, or dairy; waste water, sewage, ground water; coolants, pesticides, or fertilizer.

Price-competitive, priceless reliability

SensaTank II is priced competitively with conventional systems. Yet *no other system* can compare with SensaTank II's digital reliability, low current-draw, installation ease, and simplicity.

SensaTank II reliability is easier on the tank... and the bank



Specifications

Capacities and dimensions

- Detects water-based solutions through plastic-walled tanks. NOT for use on fiberglass or metal tanks.
- Tank wall thickness can be up to 10mm (.394"). Tanks can be any volume.
- Sensor size: 50.5 x 38.75 x 6.75mm (1.988" x 1.526" x 0.266")
- Powered by one 12VDC connection at the Display Panel. Voltage rating: 10.5 to 14.4 VDC.
- No damage if wired with reverse polarity.

Low-current draw, "always-on" reliability

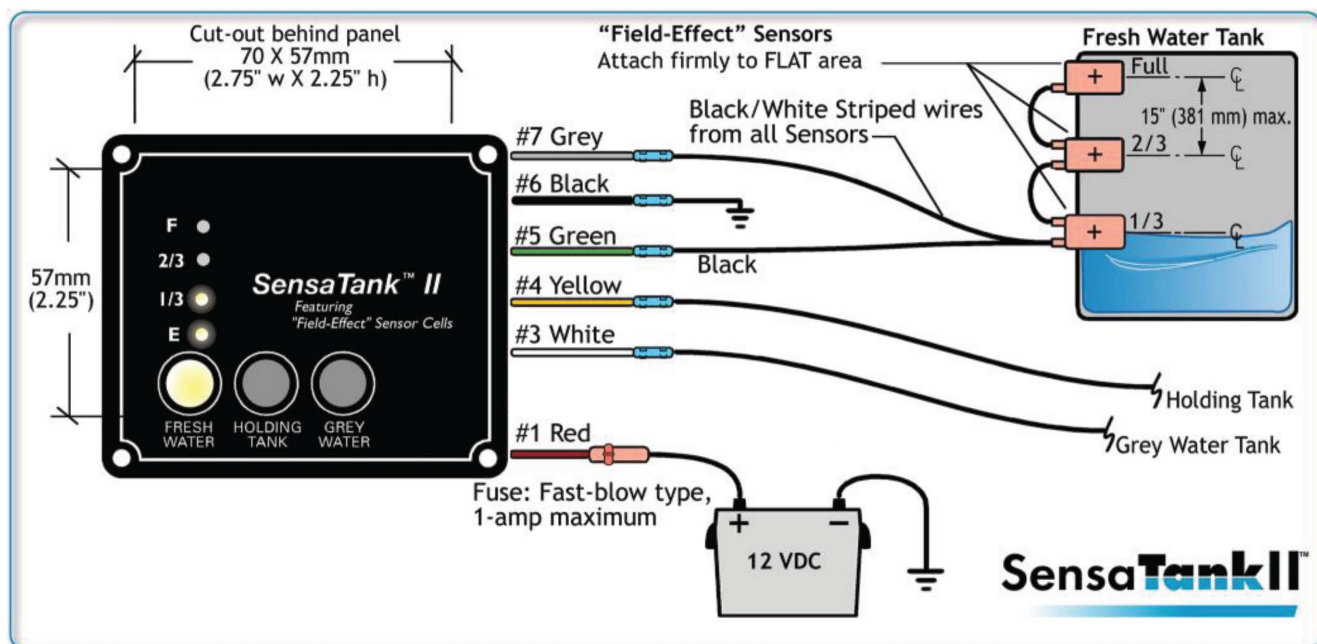
- Low current draw allows always-on direct wiring (do not connect through ignition).
- Each Sensor draws just 16µA (micro-amps) unactivated; 2.5mA (milli-amps) activated.

Industrial adhesive anchors sensor to tank

- Aggressive double-sided foam tape adhesive.
- Adhesive is unaffected by moisture or vibration.

Wiring / Sensor harness specifications

- Each kit below includes 2 or 3 sensor wiring harnesses, each with 3 daisy-chained "Field-Effect" Sensors.
- Display Panel has 152mm (6") leads of color-coded wire. Number of wires depends of number of tanks specified.
- Sensor harnesses have 305mm (12") leads of Solid Black and Black with White Striped wire.
- From Sensors, splice all Black with White Stripe wires to the Display Panel Grey wire.
- Splice Solid Black wire(s) to color-coded wire(s) as shown below.



Order online at www.LevelGuardProducts.com

Model Number	Website SKU	Description
Z252RMKT	STANKII-2	Complete Kit: Display Panel w/ LEDs, Fuse Holder, Wire Harness and Sensors for 2 Tanks.
Z253RMKT	STANKII-3	Complete Kit: Display Panel w/ LEDs, Fuse Holder, Wire Harness and Sensors for 3 Tanks.

Contact Sales Department: (877) 342-3261

levelguard@touchsensor.com

www.LevelGuardProducts.com

LevelGuard and SensaTank II are trademarks of TouchSensor Technologies, LLC.
203 North Gables Blvd.
Wheaton, IL 60187

Protected by U.S. Patent Numbers 5594222, 6310611, 7373817.
ISO 9001:2008

Proud Members of RVIA (Recreation Vehicle Industry Association)



© 2010, TouchSensor Technologies, LLC
Spc-SensaTank II, Rev. A, 2010/07