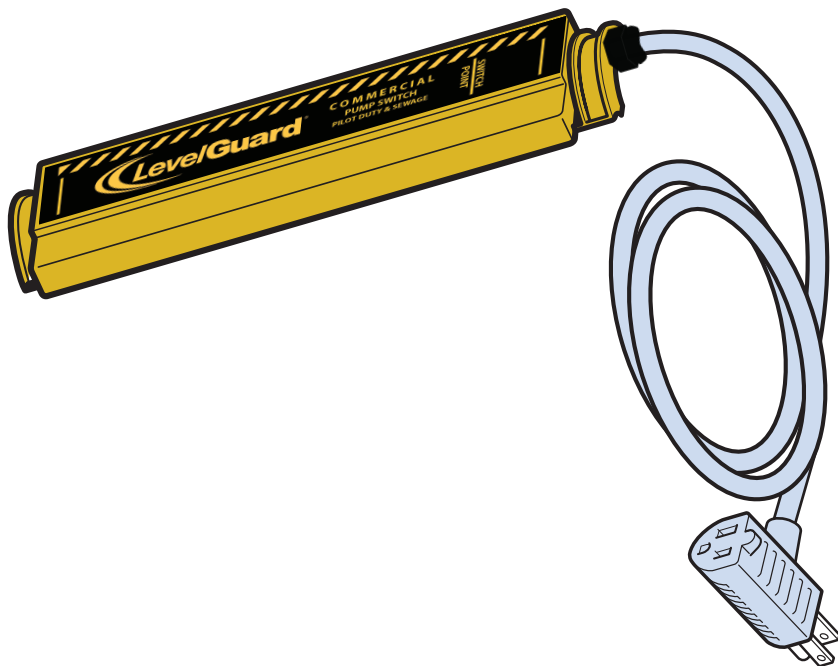


**Sewage Pump Switch Model:
Z24803PTZ**



INSTALLATION INSTRUCTIONS

Table of Contents

| | | | |
|-------------------------------------|-------|------------------------------|----|
| About LevelGuard [®] | 2 | Service & Repair | 12 |
| Features | 2 | 5-Year Limited Warranty..... | 12 |
| Will it work with my pump? | 3 | | |
| Important Safety Information..... | 4 - 5 | | |
| Installation Instructions | 6 | | |
| Remove Existing Switch..... | 7 | | |
| Installing LevelGuard | 8 | | |
| Electrical Connection..... | 9 | | |
| Test and Calibration..... | 10 | | |
| Trouble-Shooting | 11 | | |
| Maintenance Guide | 12 | | |

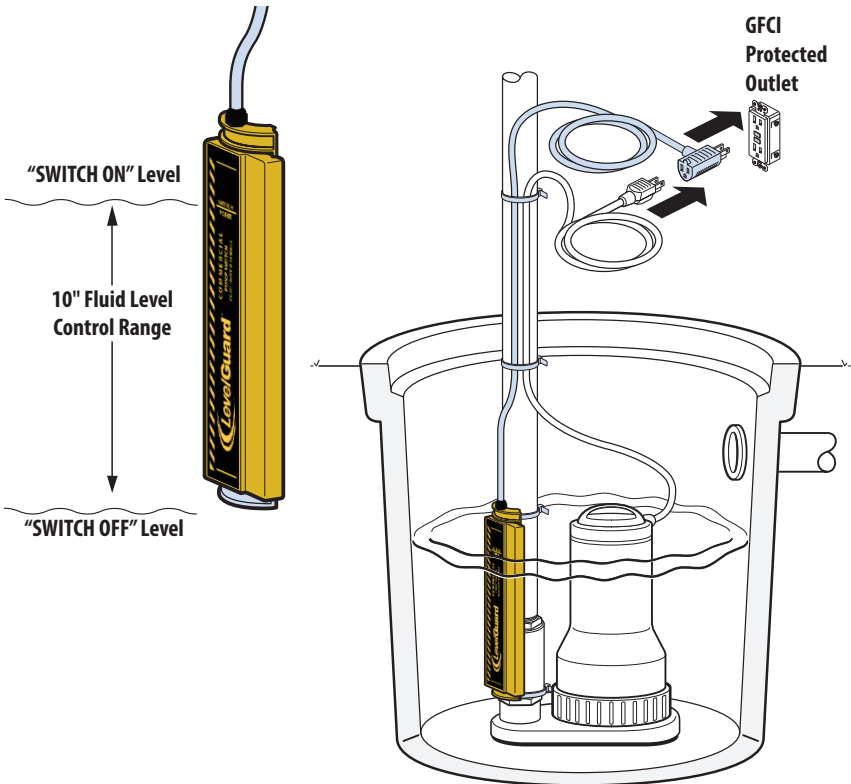
WARNING! Read this Operator's Manual carefully prior to using this device. Failure to understand and follow the contents of this manual may result in electrical shock, fire and/or serious personal injury.

About the LevelGuard® Sewage Pump Switch

LevelGuard® Sewage Pump Switch uses patented “Field-Effect” sensing technology to reliably detect water level and solid-state digital switching to replace conventional pump switches, eliminating the #1 failure mode in traditional sewage pump systems.

Features

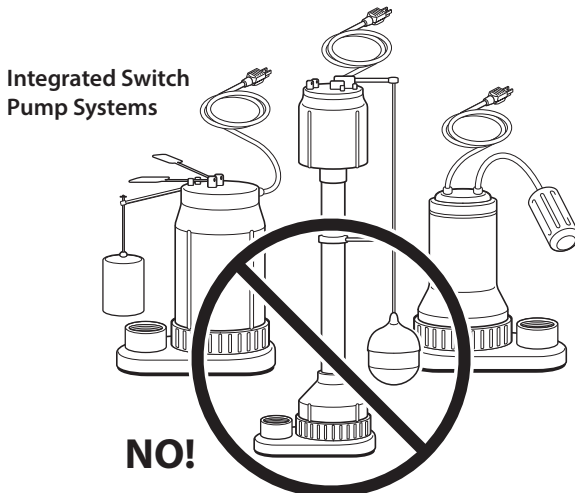
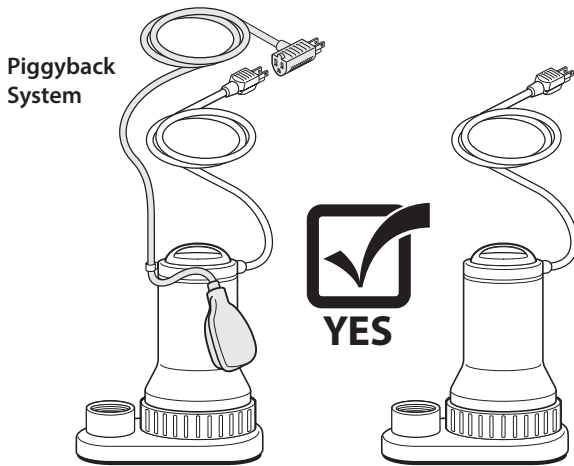
- NO MOVING PARTS to wear out or bind.
- Includes fused over-current protection against pump electrical failures.
- Requires less working space than mechanical float switches.
- Reliably controls a 10" (254 mm) water column.
- Includes a self-calibration mode (to determine max pump time) to prevent pump run-on.
- Automatic time-delay before turn-on minimizes activation from water sloshing and extends pump life.
- Tested to 1.5 million cycles — outlasts traditional float switches 7 to 1.
- Simple piggyback plug electrical installation — easy replacement for old system.
- RoHS Compliant, UL-Listed.



Will it work with my pump?

- The LevelGuard® Sewage Pump Switch replaces mechanical float-switches on new and existing sewage pumps.
- The LevelGuard® Sewage Pump Switch is designed to work with piggyback plug style electrical systems ONLY.
- DO NOT use LevelGuard® Sewage Pump Switches in systems where the switch is directly integrated into the pump.

NOTICE: Because the LevelGuard® Sewage Pump Switch works in combination with another manufacturer's pump, you must read and follow the manufacturer's instructions for that pump. Failure to do so may void the warranty or cause product damage.



Important Safety Information

SAVE THESE INSTRUCTIONS

Carefully read this manual before installing or using this product. Failure to understand and follow this manual may result in personal injury, electrical shock, and/or fire.

SAFETY SYMBOLS & SIGNAL WORDS

Read and Understand these types of Warnings:

DANGER: means that someone will be injured or killed if the safety information is not followed.

WARNING: means that someone could be injured or killed if the safety information is not followed.

NOTICE: means that property or equipment damage may result if instructions are not followed.

Personal Safety

DANGER: This installation involves use of high-voltage electricity in a wet environment, so please use common sense and caution.

You can safely install the LevelGuard® Sewage Pump Switch ONLY IF YOU:

- Contact a qualified electrician immediately if sump area is wet or flooded. Do not walk on or touch wet areas until all power is disconnected from pump electrical outlet.
- DO NOT touch the sump pump or discharge piping when the pump is connected to electrical power and water is present in the sump pit. Always disconnect the pump from the power source before handling.
- Do not install this product while impaired in any way.
- Do not allow by-standers, children, or pets to come near the installation or cause distraction.
- Keep loose clothing and jewelry away from electrical parts. Use non-skid shoes and proper eye protection.
- Do not operate this electrical device in an explosive atmosphere, such as in the presence of flammable liquids, gases, or dust. The LevelGuard Sewage Pump Switch is sealed and solid-state, but the pump motor can create sparks that may ignite dust or fumes.

Equipment and Electrical Safety

NOTICE: These instructions assume that local code enforcement requires the use of a GFCI receptacle. (Codes may vary by geographical jurisdiction.)

- Plug the LevelGuard® Sewage Pump Switch ONLY into a properly grounded, Ground Fault Circuit Interrupt (GFCI) receptacle.
- GFCI receptacle must be installed by qualified electrician in accordance with all applicable codes and ordinances.
- Before LevelGuard® Sewage Pump Switch installation, a qualified person must test the GFCI to assure that it is operating properly.
- Never remove the grounding prong; never modify the plug or GFCI in any way; do not use any adapter plugs.
- Keep cord away from sharp edges, heat, oil, or moving parts. Discontinue use immediately if cord is damaged.

Application

NOTICE: Because the LevelGuard® Sewage Pump Switch works in combination with another manufacturer's pump, you must read and follow the manufacturer's instructions for that pump. Failure to do so may void the warranty or cause product damage.

- The LevelGuard® Sewage Pump Switch is designed to work as a water-detecting switch for sump pumps made by other manufacturers.
- Any connected sewage pump must operate within the "Performance Specifications" listed below. Improper use, modification, or installation of this device may cause damage to the product and surrounding equipment.
- The LevelGuard® Sewage Pump Switch Includes thermal protection designed to prevent burnouts due to electrical overload.
- The LevelGuard® Sewage Pump Switch Includes fused over-current protection to safeguard users from pump failure modes resulting in high electrical current.
- LevelGuard® Sewage Pump Switches are designed for residential use only.
- The LevelGuard® Sewage Pump Switch IS NOT DESIGNED to work in caustic chemical fluids or solutions. DO NOT use for detecting oil, alcohol, or petrochemical solutions. Not warranted to function in mixtures containing heavy foreign materials.
- It is strongly recommended that an alternative system be used in conjunction with the LevelGuard® Sewage Pump Switch to protect against power outages, excessive water flow, GFCI tripping, and primary pump failure.

Performance Specifications

For use ONLY with 120-VAC, 60Hz, single-phase current only. Do not use with 240VAC systems.

| | |
|---------------------------------|--|
| Current Draw While in Operation | 1.3 mA |
| Circuit Requirement | 20 A dedicated branch circuit |
| Load Current Rating | Motor: 1/2 hp (9.8 FLA, 58.8 LRA), 120VAC General Electrical Load: 12 A, 120 A Pilot Duty Load: 72 VA, 120 VAC |
| Sensor Technology | Solid-State "Field-Effect" |

Construction

| | |
|-------------------------------------|--|
| Housing Material | Plastic |
| Cord | SJOW/14 Gauge. Includes piggyback female plug to receive cord from (and switch power to) sump pump |
| Cable Length | 15 feet |
| Water Level turn on/ turn off range | approx. 10" (254 mm) typical differential, non-adjustable. |

Environmental

| | |
|--------------------------------------|---------------|
| Ambient Operating Temperature: | 0°C to 50°C |
| Storage Temperature | -40°C to 85°C |
| Ambient Liquid Operating Temperature | 0°C to 50°C |

Certifications

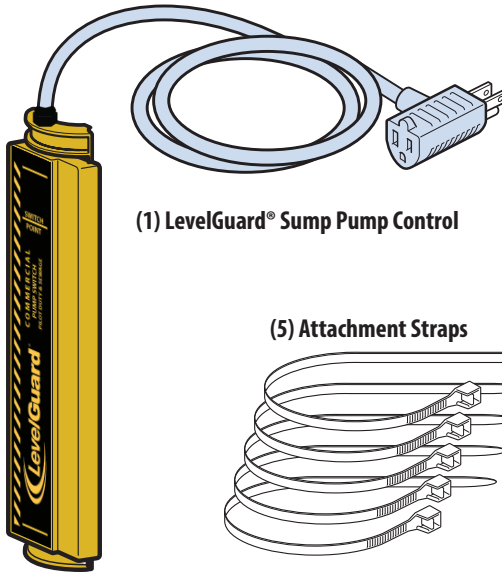
| |
|--|
| UL E332036, CUL E332036 RoHS Compliant. |
|--|

Installation Instructions

Unpack Materials

Contents of the package include:

- LevelGuard® Sewage Pump Switch with 9' cord
- Attachment Straps, quantity five (5)
(Sewage pump not included)



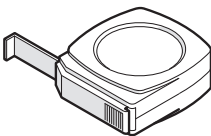
(1) LevelGuard® Sump Pump Control

(5) Attachment Straps

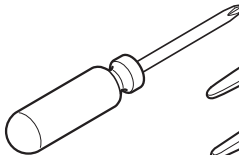
Tools Required

In addition to the product, you may need:

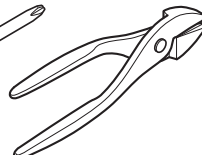
- Cutters to trim ends of tie straps
- Screwdriver (slotted or Phillips, as required) to remove old tethered float switch from pump.
- Tape measure



Tape Measure



Screwdriver

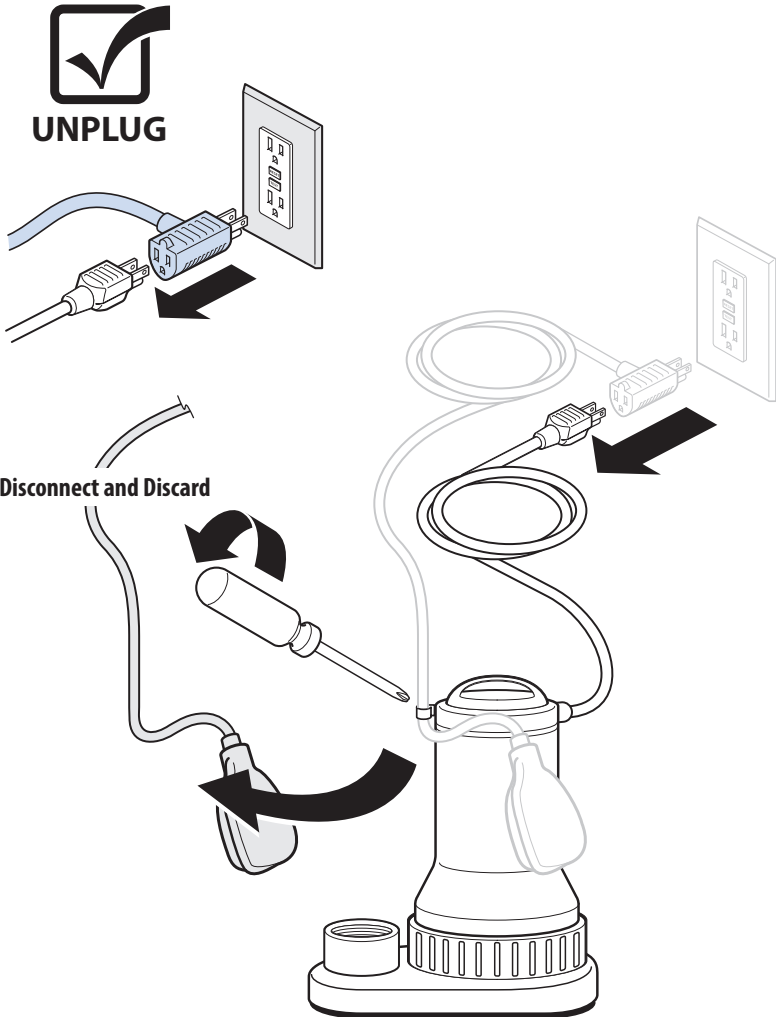


Cutters

Remove Existing Switch (optional; not required for new installations using pumps which do not include switch function)

DANGER: Confirm that electrical power is disconnected from all circuits near the sewage pump. Contact a qualified electrician if necessary.

1. Shut off power to sewage pump circuit.
2. Unplug sewage pump and existing switch from outlet.
3. Remove sewage pump from sump pit (optional).
4. Remove retaining screw(s) to disconnect existing tethered switch. Discard old switch.
(Actual procedure may differ from illustration and is dependent on your pump make and model.)
5. Reinstall sewage pump into pit. Do not connect power cord.



Install LevelGuard® Sewage Pump Switch

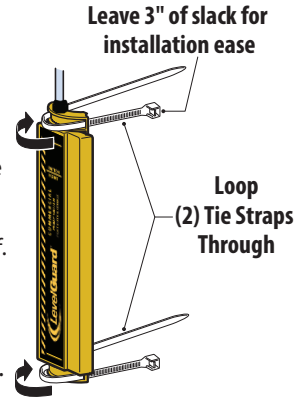
WARNING: DO NOT plug in LevelGuard® Sewage Pump Switch until instructed to do so.

1. Drain the sump pit (Recommended).
2. Loop provided tie straps through LevelGuard Sewage Pump Switch holes at top and bottom as shown in Detail A. Leave about 3" of slack for ease of installation.
3. Hold Sewage Pump Switch with cord up. Lower into sump pit.
4. Place bottom of Sewage Pump Switch against discharge pipe 2-4 inches above the level of the pump inlet. When the water level reaches the bottom of the switch, there is a 3 second delay prior to the pump being switched off. The water will rise until it reaches the "SWITCH POINT" level, which is where the pump is turned on.

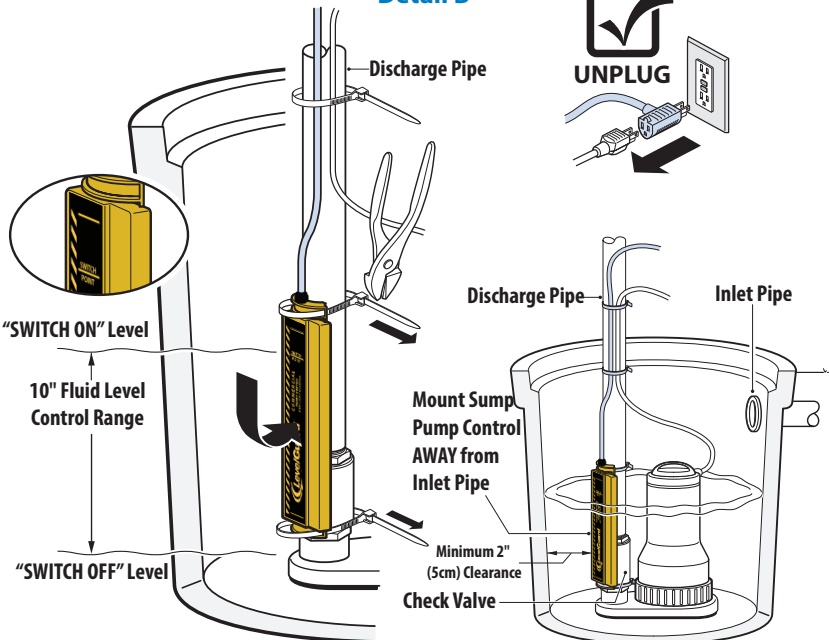
NOTICE: If check valve is in the way, you can attach Sewage Pump Switch onto the check valve (Detail B). Mount Sewage Pump Switch facing AWAY from inlet pipe.

5. Be certain that outward face of Sewage Pump Switch has 2" (51mm) MINIMUM CLEARANCE from any foreign objects.
6. Securely fasten top and bottom of Sewage Pump Switch to discharge pipe by tightening the two tie straps (do not overtighten.)

Detail A



Detail B



Electrical Connection

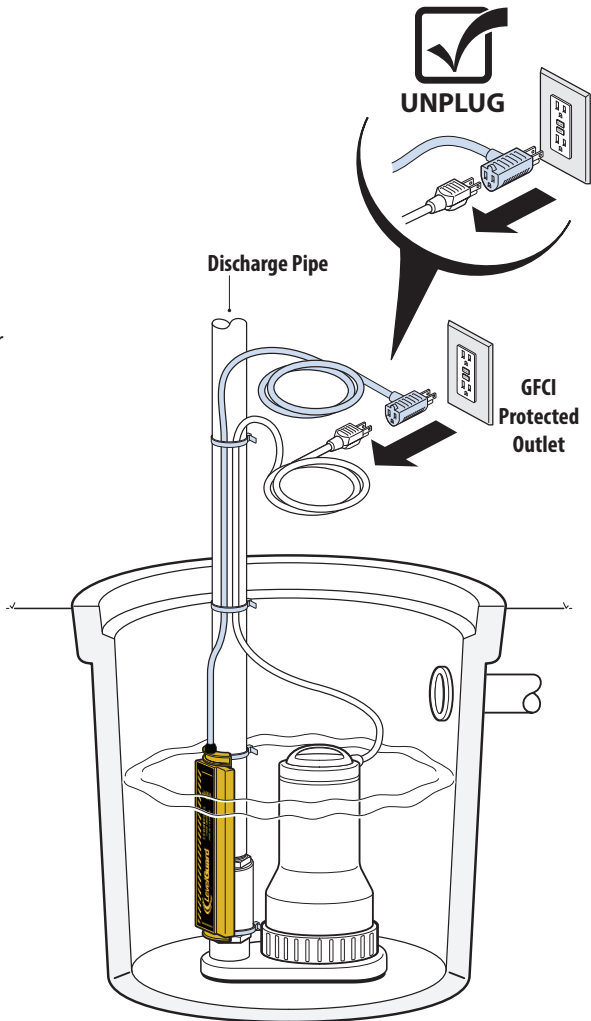
WARNING: Perform ALL cord management and routing BEFORE turning on main power.

1. Find a path where sump pump and LevelGuard® Sewage Pump Switch cords will be protected from all sharp objects, hot surfaces, oils, and chemicals.
2. Use provided tie straps to fasten cords to the discharge pipe.
3. Plug pump cord into back of the LevelGuard® Sewage Pump Switch piggyback plug.

DANGER: The Ground Fault Circuit Interrupt (GFCI) receptacle or control box must be installed by a qualified electrician in accordance with all applicable codes and ordinances.

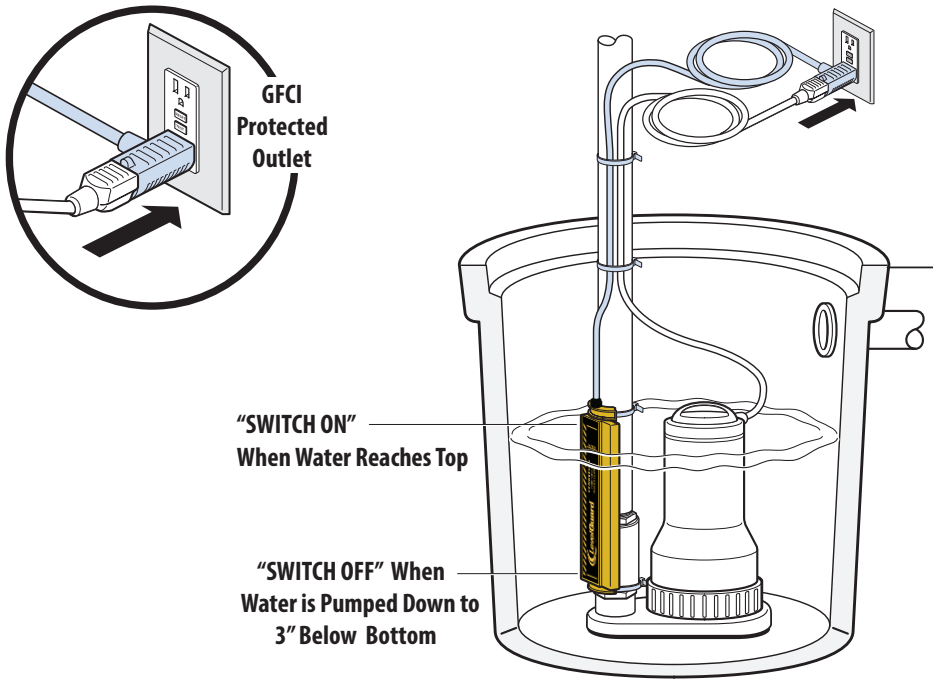
Before you connect to the GFCI, a qualified electrician must test the GFCI to assure that it is operating properly (see below for recommended termination for Pigtail connection).

4. Insert Sewage Pump Switch plug ONLY into a GFCI ground-fault protected outlet that is operating properly.
5. Recheck plugs or terminals for firm connection.
5. Turn Main Power on to supply power.
6. Turn Main Power to circuit "ON".
7. Proceed to "TEST And CALIBRATION" section.



Test And Calibration

1. Allow water to fill the sewage pit up to the LevelGuard's "SWITCH ON" point.
2. Sewage pump will turn on within 3 seconds of the water level reaching the switch point.
3. The Sewage Pump Switch calibration process starts automatically.
3. The pump will remain on for 13 seconds or until the water level drops below the "SWITCH OFF" point.
4. If the "SWITCH OFF" is not reached during this cycle the LevelGuard® will increase the pump run time by 1 second on each subsequent cycle until the "SWITCH OFF" point is reached or until the total pump run time is 60 seconds.
5. The LevelGuard® Sewage Pump Switch then calculates the maximum pump run-time. It will use this time calculation to prevent pump run-on.



Troubleshooting for LevelGuard® Sewage Pump Switch

| Symptom | Possible Root Cause(s) | Potential Corrective Action |
|---|--|--|
| Pump will not start or run | Sewage Pump Switch cord improperly plugged into receptacle | Properly insert plug into receptacle. |
| | Pump cord improperly plugged into Sewage Pump Switch plug | Properly insert pump cord into Sewage Pump Switch piggyback plug. |
| | Blown panel fuse or breaker | Replace with proper sized fuse or reset breaker. |
| | GFCI receptacle tripped | Reset GFCI receptacle. |
| | Low voltage | If voltage under 108 volts, contact qualified electrician. |
| | Main power outage | The LevelGuard® Sewage Pump Switch will not work without power. |
| | Defective pump | See pump manufacturer's operators manual. |
| | Contamination build-up on Sewage Pump Switch exterior | See "LevelGuard® Maintenance" on p. 12. |
| | Improper mounting / loose | See "Installation Instructions" on p. 6. |
| | Damaged or defective Sewage Pump Switch | Contact LevelGuard® Customer Service. |
| Pump starts and stops too often | Significant in-flow of water | This is normal. Check pump specification to confirm adequate pumping capacity. |
| | Sewage Pump Switch mounted facing inlet pipe | Reinstall Sewage Switch facing away from inlet pipe. |
| | Defective check-valve | Replace the check-valve. |
| | Defective Pump | See pump manufacturer's operator manual. |
| | Excessive temperature | Let system cool down for 5 minutes. |
| | Improper mounting / loose | See "Installation Instructions" on p. 6. |
| | Damaged or defective Sewage Pump Switch | Contact LevelGuard® Customer Service. |
| Pump will not shut off when water is not present at the lower limit | Contamination build-up on Sewage Pump Switch exterior | See "Maintenance Guide" for proper cleaning instructions. |
| | Improper mounting / loose | See "Installation Instructions" on p. 6. |
| | Foreign conductive object near sensor pad | Remove foreign object. |
| | Damaged or defective Sewage Pump Switch | Contact LevelGuard® Customer Service. |

LevelGuard Maintenance

WARNING: Unplug LevelGuard® Sewage Pump Switch and Pump from all electrical power BEFORE doing any service or maintenance.

- Inspect area around Sewage Pump Switch and clear all foreign objects and buildup.
- Plug Sewage Pump Switch and Pump back into GFCI wall outlet/terminals after inspection. Check for proper operation.
- We recommend that you do this maintenance at least once a year. However, harsh environmental conditions will dictate the necessity of your actual maintenance schedule.

GFCI Receptacle

NOTICE: The recommended use of a GFCI receptacle is meant for your protection. As part of its designed function, a GFCI receptacle can “trip” (turn off power supply) in cases of ground faults.

Because the GFCI receptacle can trip and cut off power to the pump, we recommend that you follow the receptacle manufacturer’s instructions for test and reset procedures.

Service & Repair

- The LevelGuard Sewage Pump Switch contains NO serviceable parts.
- Do not disassemble Sewage Pump Switch. Doing so can result in death or electrical shock and voided warranty.
- If Sewage Pump Switch stops working, refer to troubleshooting instructions provided.
- If part is under warranty, follow warranty instructions provided in this manual.
- If part is not under warranty, the lawful disposal of unit is necessary.

5-Year Limited Warranty

The LevelGuard® Sewage Pump Switch is warranted for five (5) years from date of purchase, for manufacturer’s defects ONLY.

Up to five (5) years from date of purchase, TouchSensor Technologies will replace, at its option, for the original purchaser any part or parts of its LevelGuard® Sewage Pump Control (“Product”) found upon examination by TouchSensor Technologies to be defective in materials or workmanship. Be prepared to provide the complete product and proof of purchase receipt and completed warranty claim form when exercising this warranty. All transportation charges on Products or parts submitted for evaluation or replacement must be paid by purchaser.

This Limited Warranty does NOT cover products which have been damaged as a result of accident, abuse, misuse, neglect, improper installation, improper maintenance, pump failure resulting in an over-current electrical condition, or failure to operate in accordance with LevelGuard® written instructions.

THERE IS NO OTHER EXPRESS WARRANTY, IMPLIED WARRANTIES, INCLUDING THOSE OF MERCHANTABILITY AND FITNESS FOR A PARTICULAR PURPOSE, OR LIFETIME WARRANTY FROM THE DATE OF PURCHASE. THIS IS THE EXCLUSIVE REMEDY AND ANY LIABILITY FOR ANY AND ALL INDIRECT OR CONSEQUENTIAL DAMAGES OR EXPENSE WHATSOEVER IS EXCLUDED.

In no event, whether as a result of breach of contract warranty, tort (including negligence) or otherwise, shall TouchSensor Technologies or its suppliers be liable for any special, consequential, incidental or penal damages including, but not limited to loss of profit or revenues, loss of use of the products or any associated equipment, damage to associated equipment, cost of capital, cost of substitute products, facilities, services or replacement power, downtime costs, or claims of buyer’s customers for such damages.

In the event that you need to exercise a warranty claim, please visit our website at www.LevelGuardProducts.com to attain electronic copies of the warranty claim forms and instructions relating to the claim submission process.

How to Contact TouchSensor Technologies for warranty related information

Call our customer care center at 1-877-342-3261 (From Canada, call 1-630-221-9000)

Or write us at:

TouchSensor Technologies
c/o LevelGuard® Products
203 North Gables Blvd.
Wheaton, IL 60187
levelguard@touchsensor.com

Customer Care Center _ Proof of Purchase & Product Information

Store Name _____
Date Purchased _____
Model Number _____
Serial Number _____
Register your Warranty ONLINE at LevelGuardProducts.com

©2014 TouchSensor Technologies, LLC

LevelGuard® is a trademark of TouchSensor Technologies, LLC • 203 North Gables Blvd. • Wheaton, IL 60187

Protected under the following U.S. Patent Numbers: 5594222, 6310611, 6320282, 7373817.